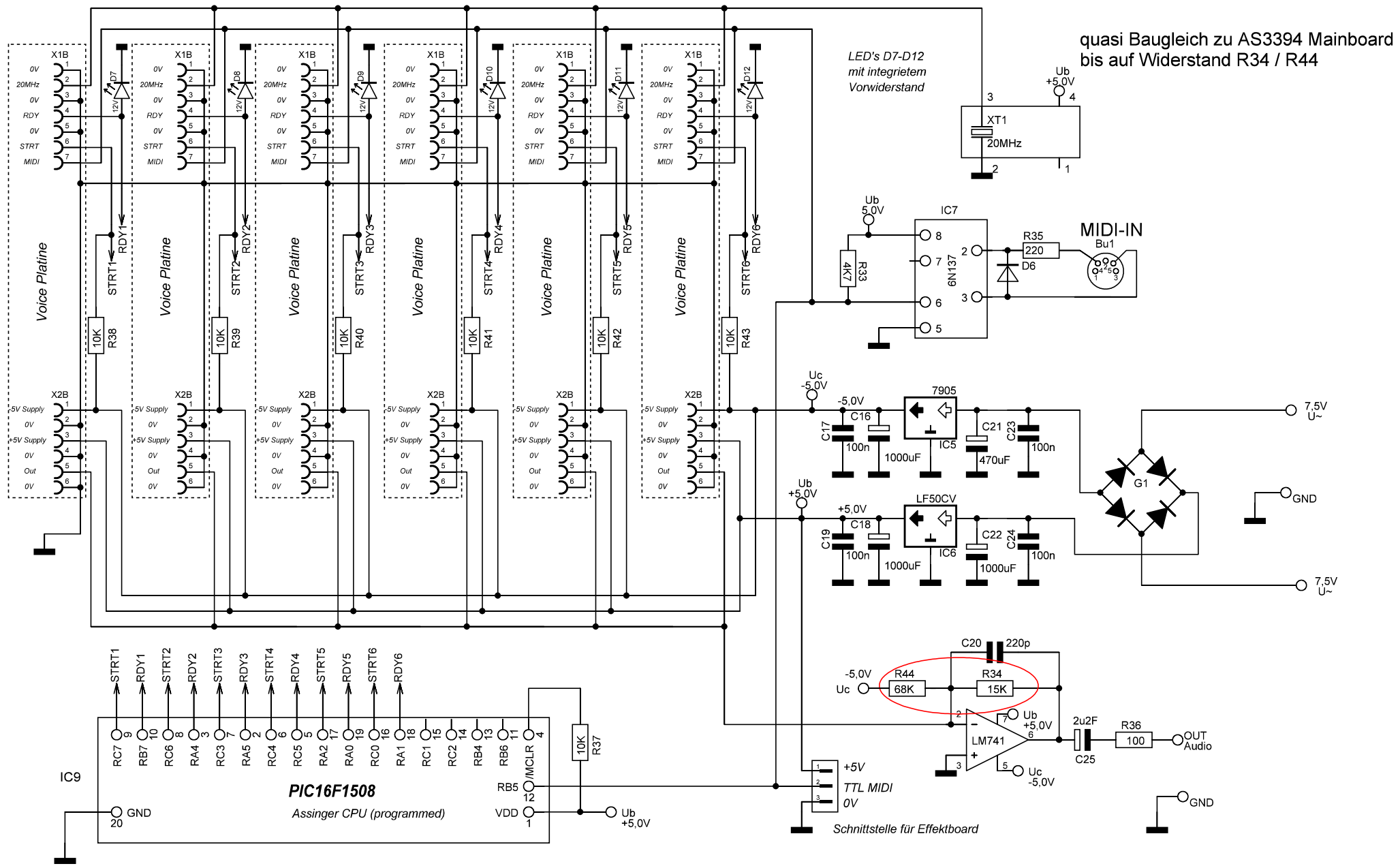


Autor H.Bollig
Erstellt: 25.04.2021

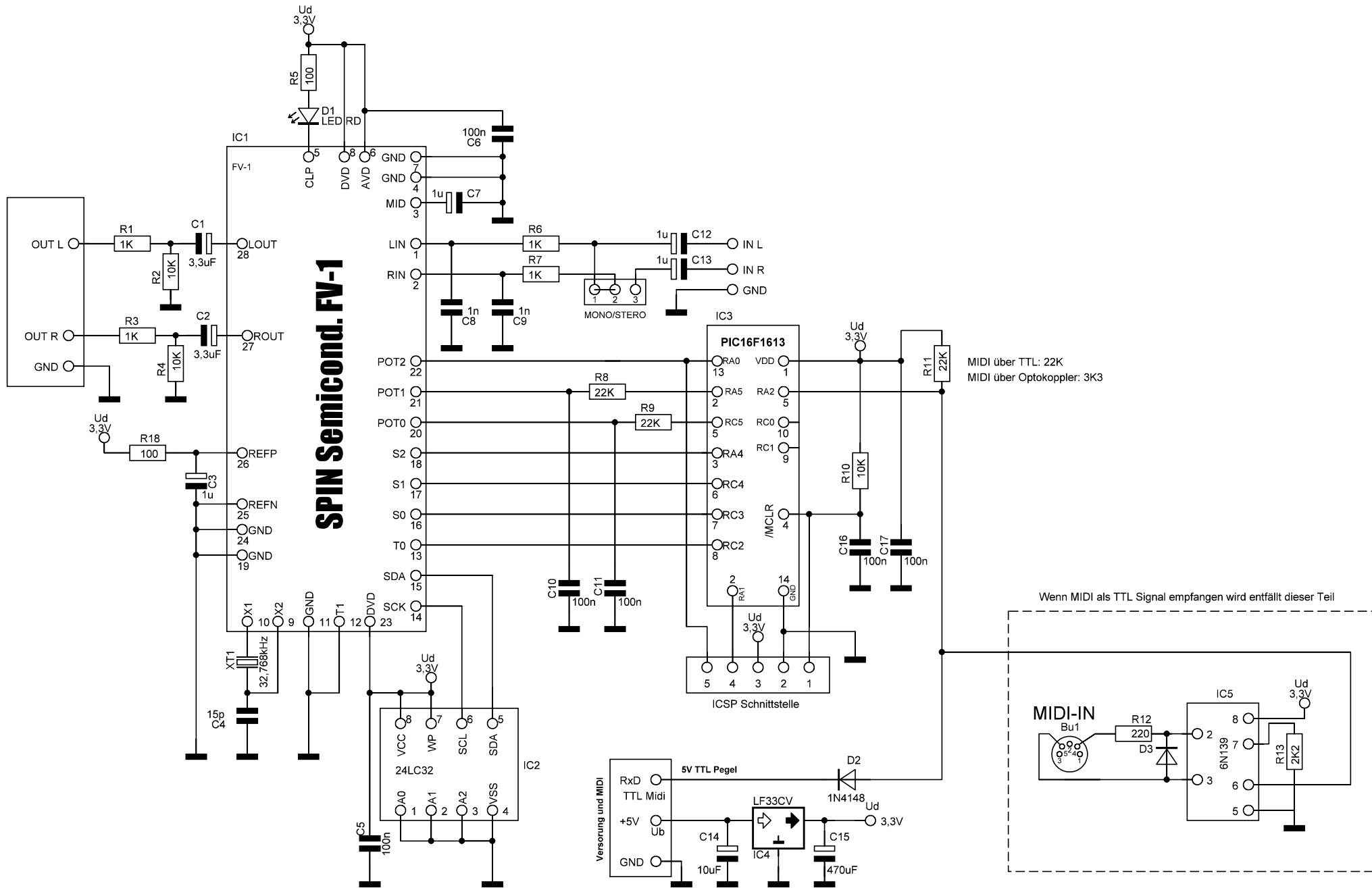
V2164 Synth - Voice
Synthesizer mit V2164 und PIC16F18324

Version : 1.0

Bl. Nr 1
Bl. 5



Autor	H.Bollig	V2164 Synth - Mainboard mit Assinger CPU Synthesizer mit V2164 und PIC16F1503	Version : 1.1	Bl. Nr	2
Erstellt:	25.04.2021		Bl.	5	



Autor H.Bollig

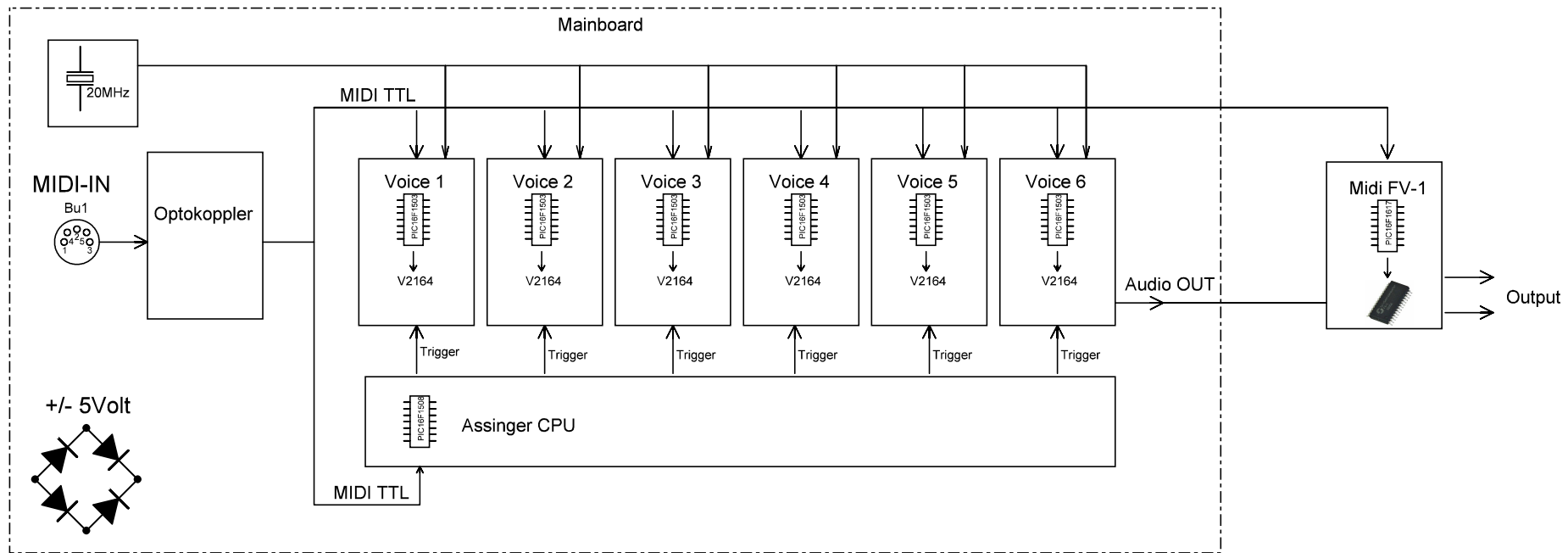
Erstellt: 25.04.2021

Midi FV1 - Effekt Borad
Ansteuerung FV-1 Chip mit PIC16F1613

Version : 1.0

Bl. Nr 3

Bl. 5



Autor H.Bollig

Erstellt: 25.04.2021

Synth Blockschaltbild

Synthesizer mit V2164 und PIC16F1503

Version : 1.0

Bl. Nr 4

Bl. 5

Stückliste Voice Board

C1□ = 100n
C2□ = 470p
C3□ = 470p
C4□ = 100n
C5□ = 1n
C6□ = 470p
C7□ = 1n
C8□ = 100u
C9□ = 47uF
C10□ = 1n
C11□ = 100n
C12□ = 220n
C13□ = 100n
C14□ = 100n
C15□ = 1n

D1□ = 3V3
D2□ = 3V3

IC1□ = PIC16F18324
IC2□ = V2164
IC3□ = MCP4011 503E/SN
IC4□ = TL084

R1□ = 100k
R2□ = 15k
R3□ = 15k
R4□ = 15k
R5□ = 220
R6□ = 15k
R7□ = 10K
R8□ = 47K
R9□ = 15k
R10□ = 220
R11□ = 20K
R12□ = 20K
R13□ = 22K
R14□ = 11K
R15□ = 1K8
R16□ = 6K8
R17□ = 220
R18□ = 39K
R19□ = 20K
R20□ = 10K
R21□ = 220

VR1□ = 10k

Stückliste Mainboard

Bu1□ = DIN-Buchse 5pol
C16□ = 1000uF
C17□ = 100n
C18□ = 1000uF
C19□ = 100n
C20□ = 220p
C21□ = 470uF
C22□ = 1000uF
C23□ = 100n
C24□ = 100n
C25□ = 2u2F

D6□ = 1N4148
D7□ = 12V
D8□ = 12V
D9□ = 12V
D10□ = 12V
D11□ = 12V
D12□ = 12V

G1□ = BY

IC5□ = 7905
IC6□ = LF50CV
IC7□ = 6N137
IC9□ = PIC16F1508

LM741□ =

R33□ = 4K7
R34□ = 15K
R35□ = 220
R36□ = 100
R37□ = 10K
R38□ = 10K
R39□ = 10K
R40□ = 10K
R41□ = 10K
R42□ = 10K
R43□ = 10K
R44 = 68K

XT1 = 20MHZ

Stückliste Midi FV-1

Bu1□ = DIN-Buchse 5pol
C1□ = 3,3uF
C2□ = 3,3uF
C3□ = 1u
C4□ = 15p
C5□ = 100n
C6□ = 100n
C7□ = 1u
C8□ = 1n
C9□ = 1n
C10□ = 100n
C11□ = 100n
C12□ = 1u
C13□ = 1u
C14□ = 10uF
C15□ = 470uF
C16□ = 100n
C17□ = 100n

D1□ = LED RD
D2□ = 1N4148
D3□ = 1N4148

IC1□ = FV-1
IC2□ = 24LC32
IC3□ = PIC16F1613
IC4□ = LF33CV
IC5□ = 6N139

R1□ = 1K
R2□ = 10K
R3□ = 1K
R4□ = 10K
R5□ = 100
R6□ = 1K
R7□ = 1K
R8□ = 22K
R9□ = 22K
R10□ = 10K
R11□ = 22K
R12□ = 220
R13□ = 2K2
R18□ = 100

XT1□ = 32,768kHz

Autor H.Bollig

Erstellt: 25.04.2021

Stücklisten
Synthesizer mit V2164 und PIC16F1503

Version : 1.0

Bl. Nr 5

Bl. 5