

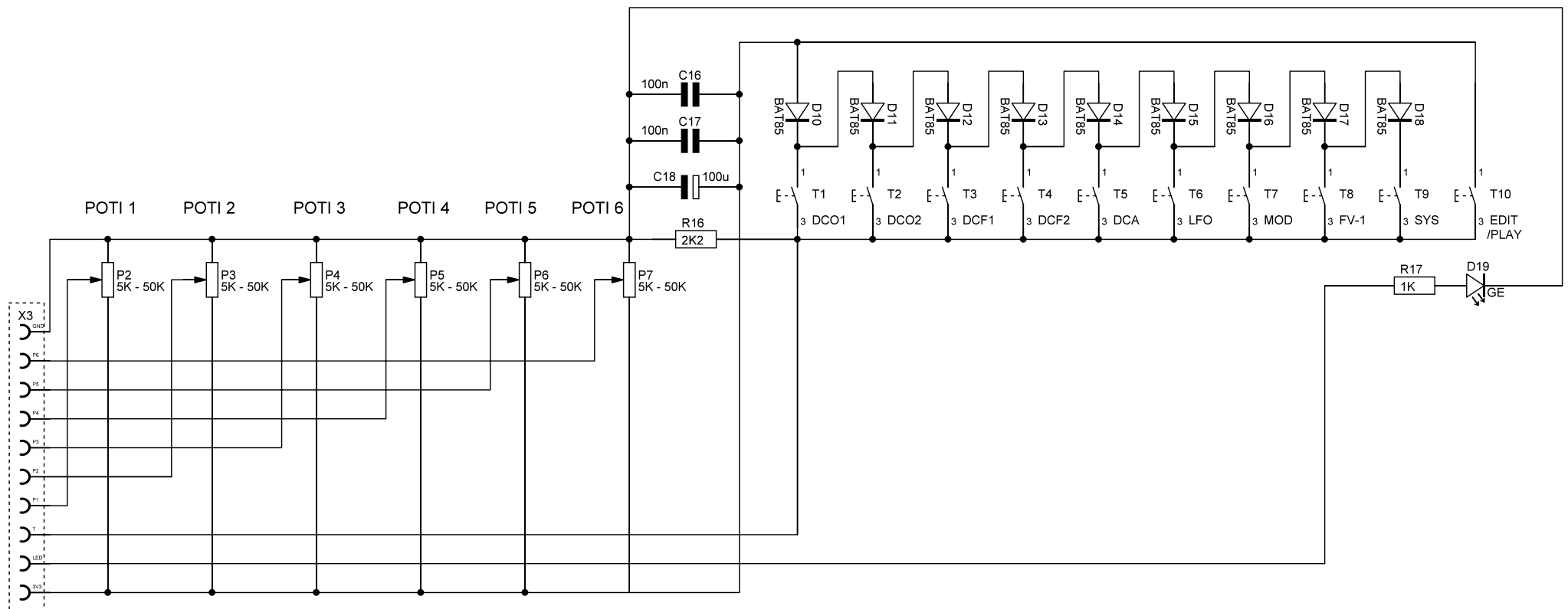
IC2: 6N139 -> R15: 1K5

Autor H.Bollig
Erstellt: 02.04.2021

Vitellius 1
6 stimmiger Synthesizer, Teensy 3.2 & FV-1

Version : 2019

Bl. Nr 1
Bl. 3



Autor H.Bollig

Erstellt: 02.04.2021

Vitellius 1

6 stimmiger Synthesizer, Teensy 3.2 & FV-1

Version : 2019

Bl. Nr 2

Bl. 3

Bu1□ = DIN-Buchse 5pol

C1□ = 3,3uF

C2□ = 3,3uF

C3□ = 1u

C4□ = 15p

C5□ = 100n

C6□ = 100n

C7□ = 1u

C8□ = 1n

C9□ = 1n

C10□ = 100n

C11□ = 100n

C12□ = 100n

C13□ = 2u2

C14□ = 100u

C15□ = 100u

C16□ = 100n

C17□ = 100n

C18□ = 100u

D8□ = LED RD

D9□ = 1N4148

D10□ = BAT85

D11□ = BAT85

D12□ = BAT85

D13□ = BAT85

D14□ = BAT85

D15□ = BAT85

D16□ = BAT85

D17□ = BAT85

D18□ = BAT85

D19□ = GE

IC□ = LCD 2*40

IC1□ = FV-1

IC2□ = 24LC32

IC3□ = HCPL250L

IC4□ = Tenny3.2

P1□ = 10k

P2□ = 5K - 50K

P3□ = 5K - 50K

P4□ = 5K - 50K

P5□ = 5K - 50K

P6□ = 5K - 50K

P7□ = 5K - 50K

R1□ = 1K

R2□ = 1K

R3□ = 10K

R4□ = 10K

R5□ = 100

R6□ = 1K

R7□ = 1K

R8□ = 10K

R9□ = 10K

R10□ = 10K

R11□ = 6K8

R12□ = 220

R13□ = 2K2

R14□ = 2K2

R15□ = 4K7

R16□ = 2K2

R17□ = 1K

R18□ = 100

T1□ = DCO1

T2□ = DCO2

T3□ = DCF1

T4□ = DCF2

T5□ = DCA

T6□ = LFO

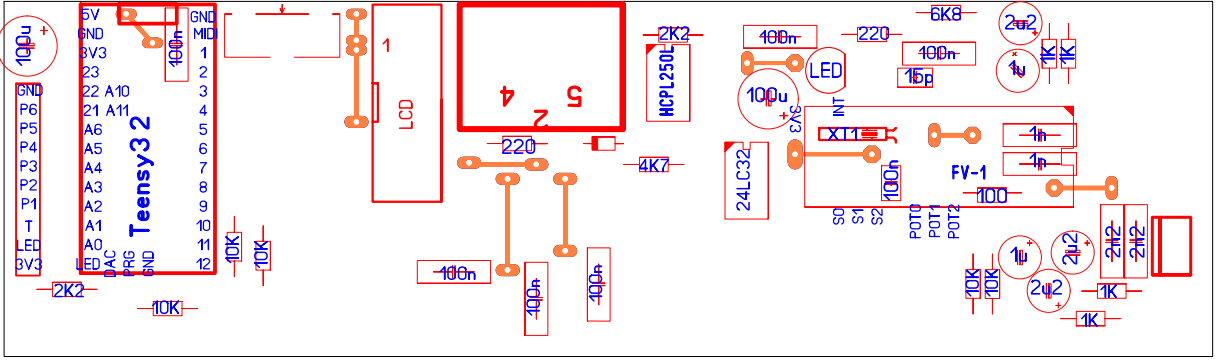
T7□ = MOD

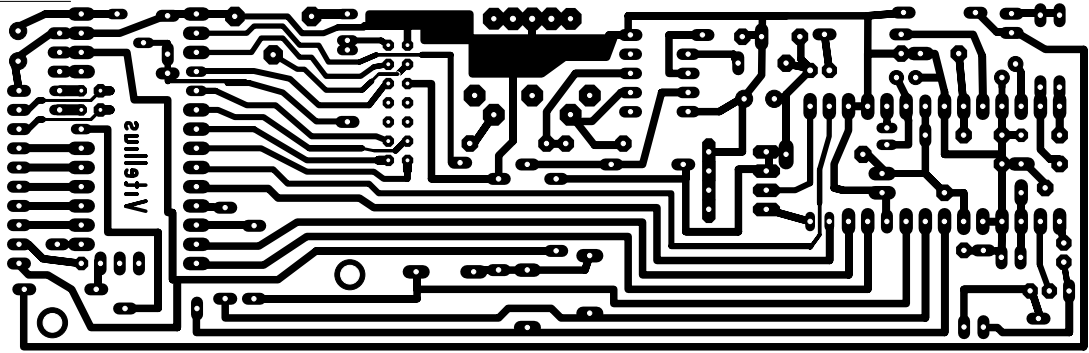
T8□ = FV-1

T9□ = SYS

T10□ = EDIT

XT1□ = 32,768kHz





zullati V

SO18
H Bolla

